

Specification

Methven UK Ltd, Brooklands Mill, English Street, Leigh, Lancashire, WN73EH

Ref No N/A

Date 17/4/12

Sample No N/A

DTC No. DTC45

Issue 2

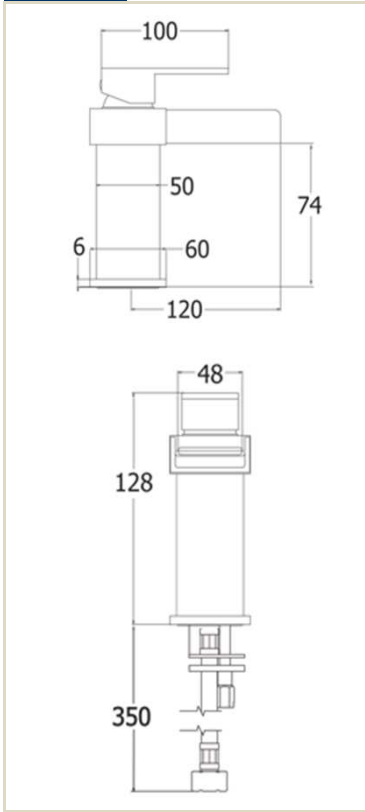
Code SPA113

CHANGE TO INSTRUCTIONS

Image



Drawing



Packaging

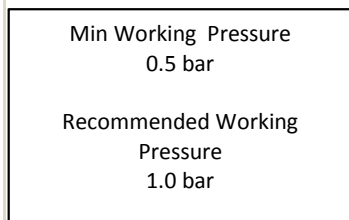
Box Size	285 x 180 x 80mm
Carton Size	385 x 300 x 340mm
Cartons Per Pallet	27
Cartons Quantity	8
Units Per Pallet	216
Plastic Weight	0.005
Card Weight	0.24
Paper Weight	0.004
Product Weight	2.5
Total Weight kg	2.749
Fitting Instruction	DTC INST 7 - 28.6.11

Box Label

Box and Pressure label - 75 x 40mm



Label 1, central on end



Label 2, central on end



Label 3 (date label)
Top corner, top face
10/10/10 format

Carton Label

Carton label size - 200 x 150mm

Methven UK Brooklands Mill English Street Leigh Lancashire WN7 3EH England Product Code:	METHVEN	
	Invoice No.	Carton No.
	Order No.	
	GW	NW
Description:	Box Qty:	Units

Box Label Details

Barcode	5011632662561
Description	SPARKLE MONO BASIN MIXER
Code, description, finish - National Book Regular - 9 pt font	
Address - National Book Regular - 5.7 pt font	
Deva logo size - 20.739 x 6.693mm	
Barcode size - 37.72 x 26.26mm	

Specification

Methven UK Ltd, Brooklands Mill, English Street, Leigh, Lancashire, WN73EH

Ref No N/A

Date 17/4/12

Sample No N/A

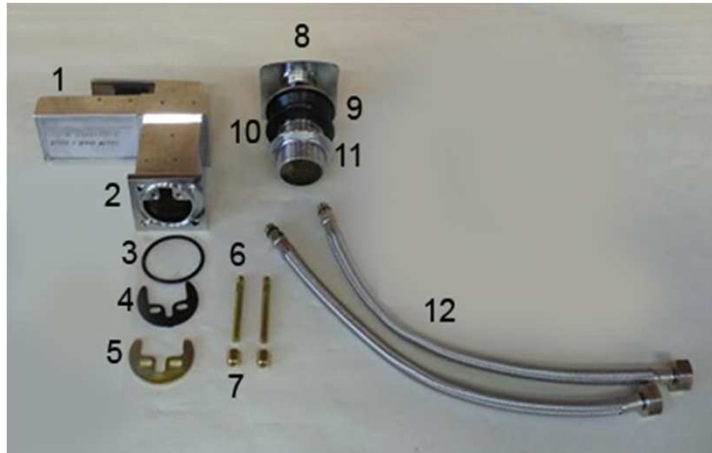
DTC No. DTC45

Issue 2

Code SPA113

CHANGE TO
INSTRUCTIONS

Box Contents



Box Contents

		Qty
1	MIXER	1
2	BASE PLATE	1
3	BASE PLATE O RING	1
4	RUBBER HORSE SHOE WASHER	1
5	METAL HORSE SHOE PLATE	1
6	FIXING BAR	2
7	FIXING NUT	2
8	WASTE	1
9	FLANGE SEAL	1
10	WASTE BODY SEAL	1
11	METAL BACK NUT	1
12	10mm - 1/2" BSP FLEXI-TAILS	2
13		
14		
15		
16		
17		
18		
19		
20		
21		
22		

Internal Packing



Specification

Methven UK Ltd, Brooklands Mill, English Street, Leigh, Lancashire, WN73EH

Ref No N/A

Date 17/4/12

Sample No N/A

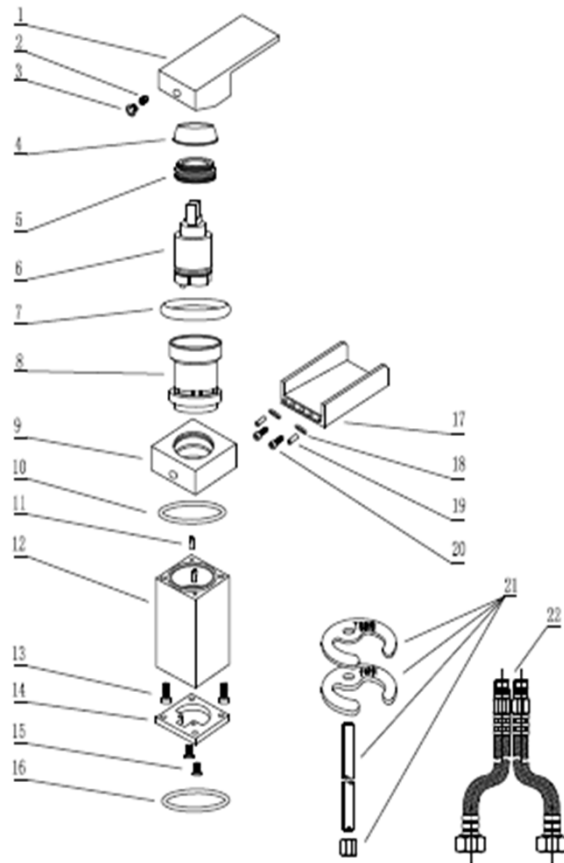
DTC No. DTC45

Issue 2

Code SPA113

CHANGE TO INSTRUCTIONS

Parts Drawing



Additional Data

Flow (Bar - l/min)

Spout/outlet

0.1	N/A	0.2	N/A	0.5	4	1	6	1.5	8	2	10
-----	-----	-----	-----	-----	---	---	---	-----	---	---	----

Handset/shower head

0.1	N/A	0.2	N/A	0.3	N/A	0.5	N/A	1	N/A	2	N/A
-----	-----	-----	-----	-----	-----	-----	-----	---	-----	---	-----

Approvals NONE

Valve type 35mm CARTRIDGE LONG

Special Features

TILT AND TURN CONTROL
FLEXI-TAILS

Specification

Methven UK Ltd, Brooklands Mill, English Street, Leigh, Lancashire, WN73EH

Ref No N/A

Date 17/4/12

Sample No N/A

DTC No. DTC45

Issue 2

Code SPA113

CHANGE TO
INSTRUCTIONS

