

Specification

Methven UK Ltd, Brooklands Mill, English Street, Leigh, Lancashire, WN73EH

Ref No N/A

Date 27/4/12

Sample No N/A

DTC No. DTC15

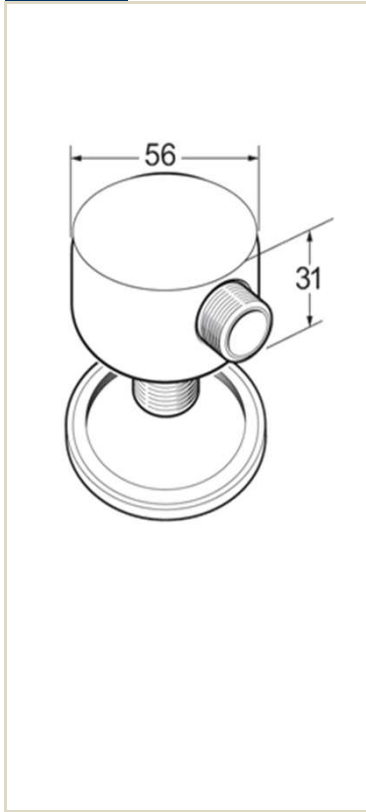
Issue 1

Code SPE01

Image



Drawing



Packaging

Box Size	65 x 65 x 75mm
Carton Size	340 x 220 x 215mm
Cartons Per Pallet	50
Cartons Quantity	36
Units Per Pallet	1800
Plastic Weight	0.002
Card Weight	0.011
Paper Weight	0.002
Product Weight	0.385
Total Weight kg	0.4
Fitting Instruction	DTC INST 29

Box Label

Box and Pressure label - 75 x 40mm



Label 1, central on end



Label 3 (date label)
Top corner, top face
10/10/10 format

Carton Label

Carton label size - 200 x 150mm

Methven UK Brooklands Mill English Street Leigh Lancashire WN7 3EH England Product Code:	METHVEN	
	Invoice No.	Carton No.
	Order No.	
	GW	NW
Description:	Box Qty:	Units

Box Label Details

Barcode 5011632665906
 Descriptor CHROME WALL UNION - ROUND
 Code, description, finish - National Book Regular - 9 pt font
 Address - National Book Regular - 5.7 pt font
 Deva logo size - 20.739 x 6.693mm
 Barcode size - 37.72 x 26.26mm

Specification

Methven UK Ltd, Brooklands Mill, English Street, Leigh, Lancashire, WN73EH

Ref No N/A

Date 27/4/12

Sample No N/A

DTC No. DTC15

Issue 1

Code SPE01

Box Contents



Box Contents

		Qty
1	PLASTIC TRIM PLATE	1
2	PLASTIC 1/2" BACK NUT	1
3	SEAL	1
4	UNION C/W 1/2" CONNECTOR	1
5		
6		
7		
8		
9		
10		
11		
12		
13		
14		
15		
16		
17		
18		
19		
20		
21		
22		

Internal Packing



Specification



Methven UK Ltd, Brooklands Mill, English Street, Leigh, Lancashire, WN73EH

Ref No N/A

Date 27/4/12

Sample No N/A

DTC No. DTC15

Issue 1

Code SPE01

Parts Drawing

AS PER BOX CONTENTS

Additional Data

Flow (Bar - l/min)

Spout/outlet

0.1	N/A	0.2	N/A	0.3	N/A	0.5	N/A	1	N/A	2	N/A
-----	-----	-----	-----	-----	-----	-----	-----	---	-----	---	-----

Handset/shower head

0.1	N/A	0.2	N/A	0.3	N/A	0.5	N/A	1	N/A	2	N/A
-----	-----	-----	-----	-----	-----	-----	-----	---	-----	---	-----

Approvals N/A

Valve type N/A

Special Features

1/2" BSP THREADED CONNECTOR
BRASS CONTRUCTION
PLASTIC TRIM PLATE

Specification



Methven UK Ltd, Brooklands Mill, English Street, Leigh, Lancashire, WN73EH

Ref No N/A

Date 27/4/12

Sample No N/A

DTC No. DTC15

Issue 1

Code SPE01